

DATE	APP'D
11/14/91	LSB
12/24/91	LSB
5/24/93	LSB
3/26/94	LSB

PROJECTION FOR PUBLICATION
 BY AMP INCORPORATED ALL INTERNATIONAL RIGHTS RESERVED.

19

7

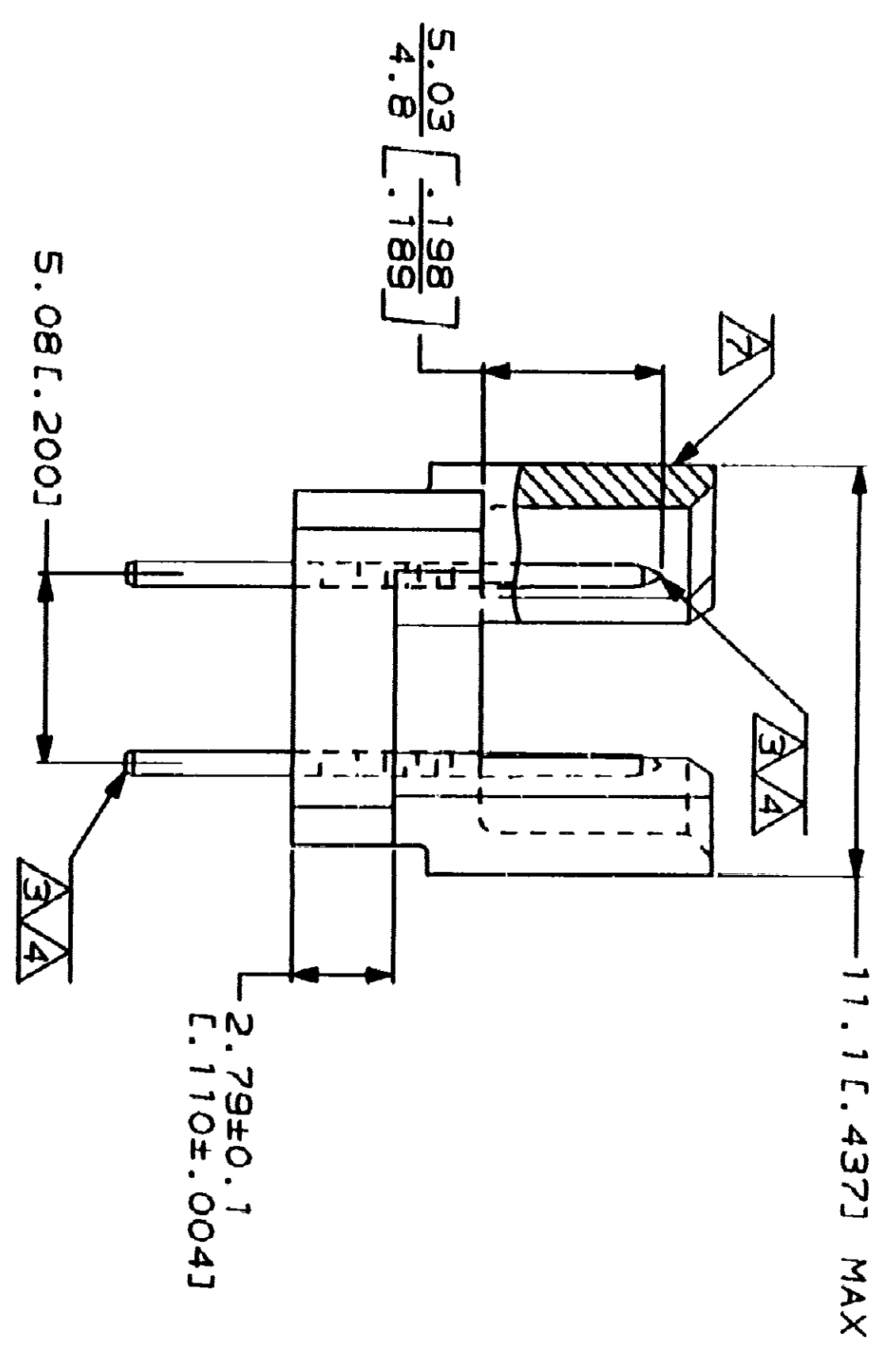
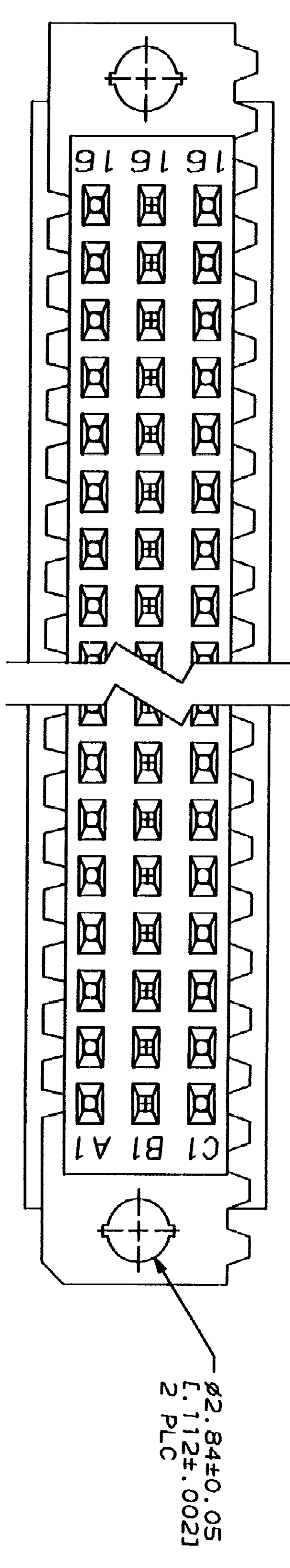
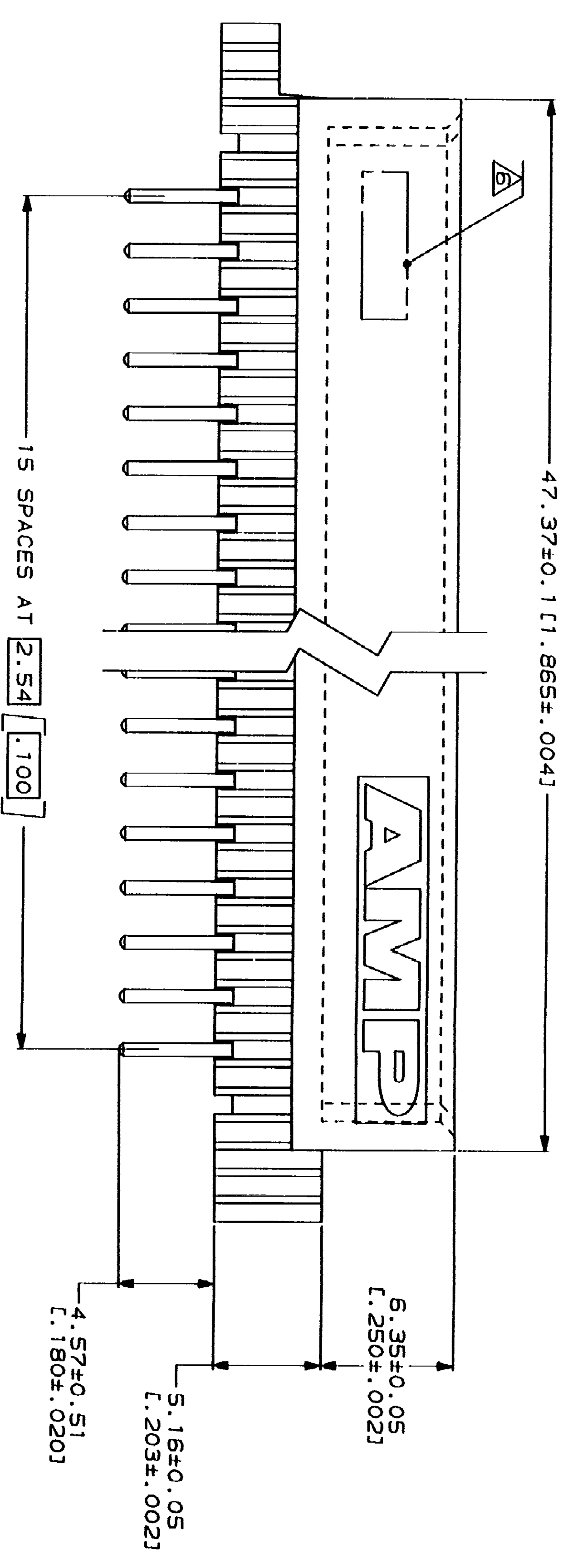
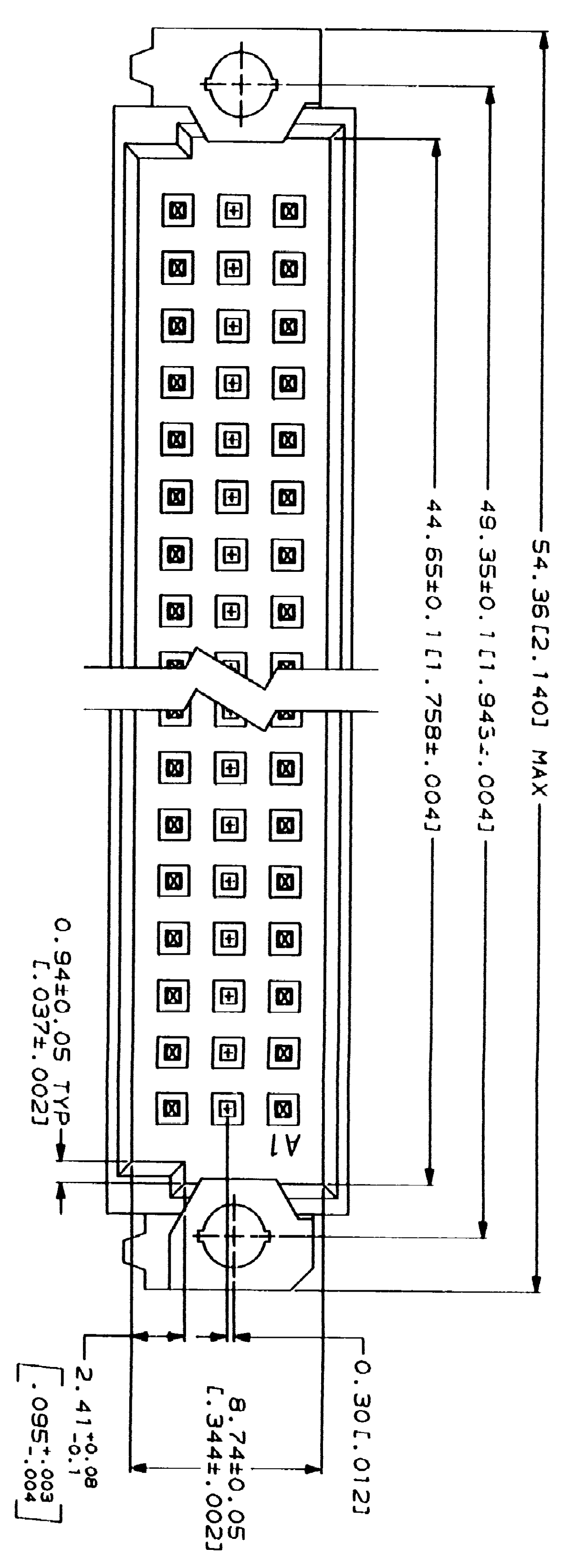
5

4

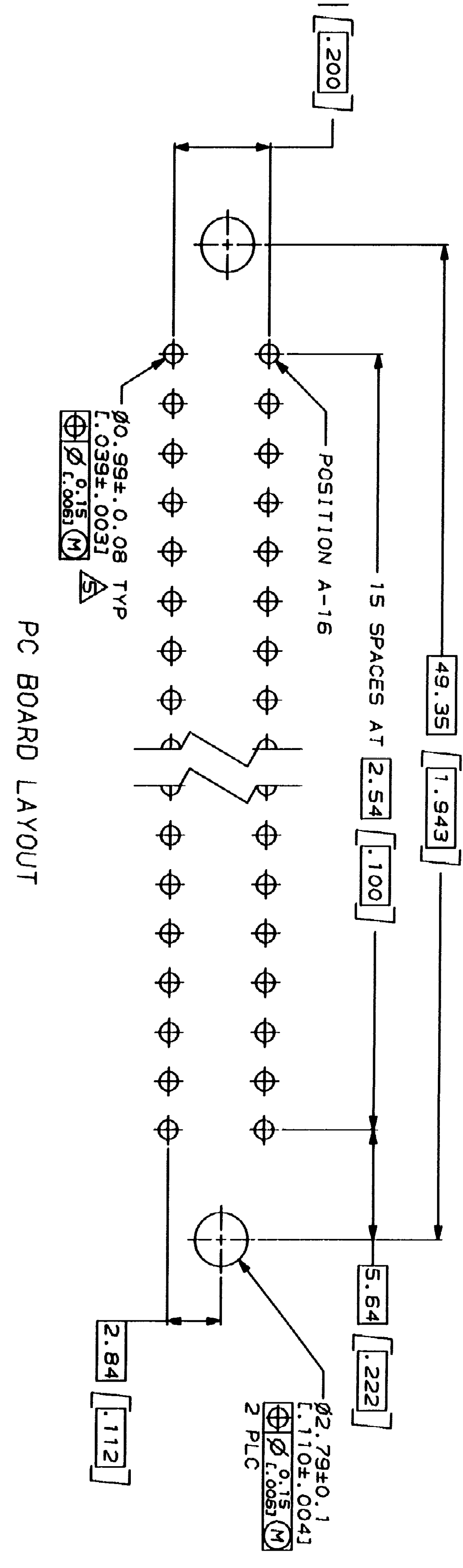
3

2

REV	DATE	DESCRIPTION
0		DRAWN
B		ECN A055861 A05640
C		ECN A05876
D		ECN A05871
E		ECN A06256
F		EC 0010-0513-93
G		EC 0010-0498-94



- △ HOUSING MATERIAL: GLASS-FILLED POLYESTER. COLOR: GRAY.
- △ POST MATERIAL: BRASS.
- △ POST FINISH: DIN 41612 CLASS 3 IN CONTACT AREA.
- △ TIN-LEAD PLATE ON POSTS.
- △ POST FINISH: DIN 41612 CLASS 2 IN CONTACT AREA.
- △ TIN-LEAD PLATE ON POSTS.
- △ RECOMMENDED HOLE SIZE FOR MANUAL APPLICATION OF CONNECTOR ONTO PC BOARD.
- △ [PART NUMBER, DATE CODE] MARKED THIS APPROXIMATE AREA.
- △ MARKING ON THIS SIDE.



POSITIONS LOADED	ROWS LOADED	NO. OF POSITIONS	ASSY
A	B	A	
X	-	X	32
X	-	X	32

NOTES	POSITIONS LOADED	ROWS LOADED	NO. OF POSITIONS	ASSY
	C	B	A	
	X	-	X	32
	X	-	X	32

DO NOT SCALE PRINT. UNLESS SPECIFIED DIMENSIONS IN MM (INCHES)	DR	DATE	NAME
1 PLG DEC ± 0.1(1.00)	L. BRINER	3/18/91	AMP
2 PLG DEC ± 0.13(1.00)	D.C. RUBENDALL	3/26/91	AMP
	D.C. RUBENDALL	3/26/91	AMP
	K.R. PARKER	3/26/91	AMP

FINISH	APPLICATION SPEC	SIZE	CAGE CODE	DRAWING NO
POST: △/△/△		D	00779	6501
		SCALE	5:1	SHEET

PC BOARD LAYOUT
 CUSTOMER

RT NUMBER	T NO	936-9	936-5
1 OF 1			

RAWING